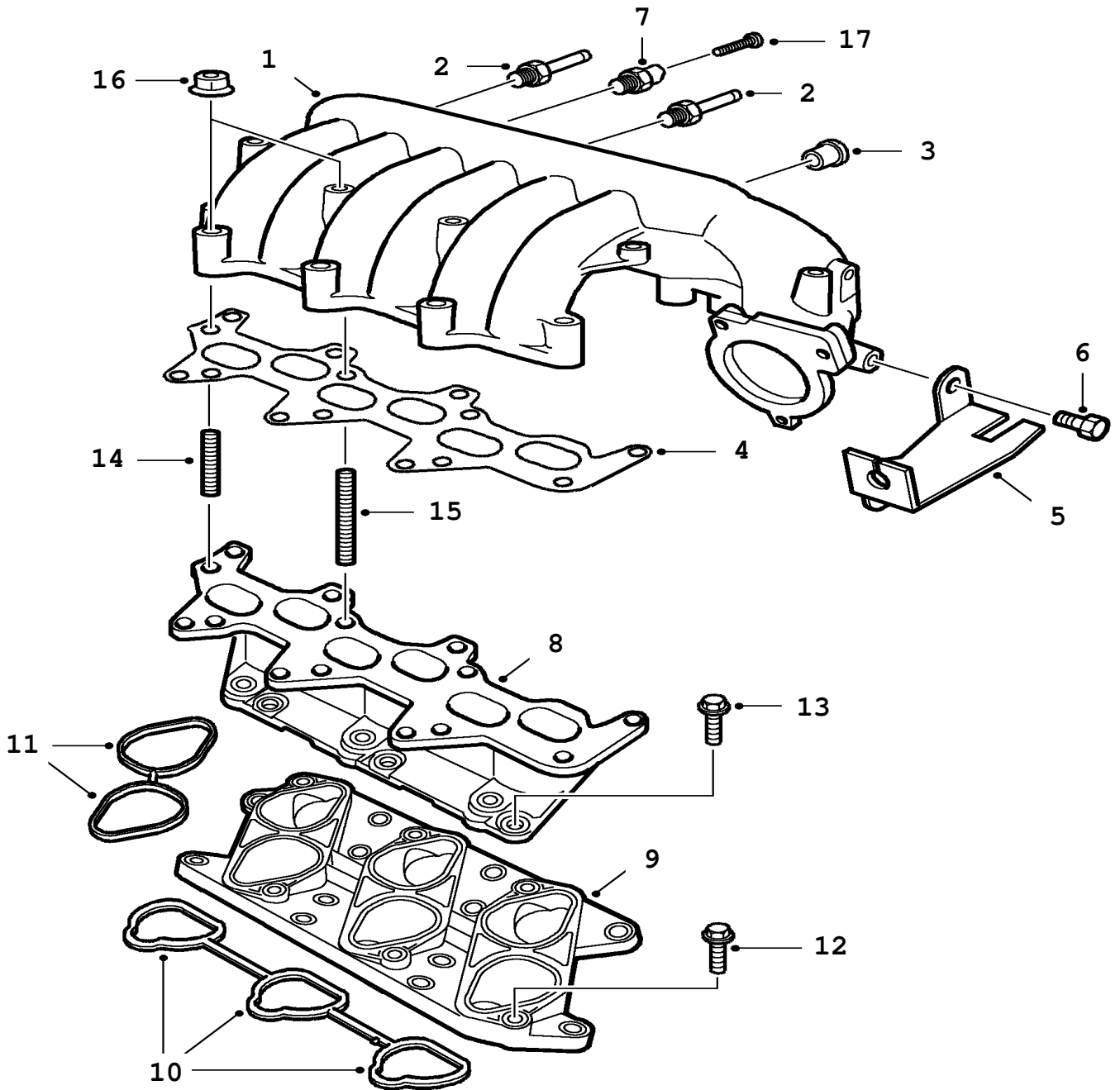


0760 Intake and exhaust system - Intake manifold (1998 - 2003), 6-CYL, PETROL



C1018 9-5  
02/0760

## 0760 Intake and exhaust system - Intake manifold (1998 - 2003), 6-CYL, PETROL

Pos	Part No.	Article	Usage	Qty
1	91 74 632	Intake manifold Note: Ch. --Y3040000		1
2	91 77 056	Nipple	NLS-USE 90490282	2
3	91 79 318	Nipple	NLS-USE 55557389	1
4	45 03 512	Gasket	NLS-USE 90412126	1
5	91 75 787	Bracket	1998-2001	1
6	79 78 109	Screw	NLS-USE 11900354	2
7	91 71 497	Pressure sensor Note: Ch. --Y3040000		1
8	45 03 850	Intake manifold		1
9	46 21 272	Flange	NLS-USE 90467004	1
10	47 70 418	Gasket	NLS-USE 90501652	2
11	47 70 426	Gasket	NLS-USE 90501653	3
12	93 175 509	Screw	M8 X 25	12
13	47 73 156	Screw	M8 X 20, NLS-USE 11096811	6
14	45 03 868	Stud	NLS-USE 90412461	5
15	91 79 821	Stud	NLS-USE 90490363	2
16	45 03 538	Nut	NLS-USE 11082413	7