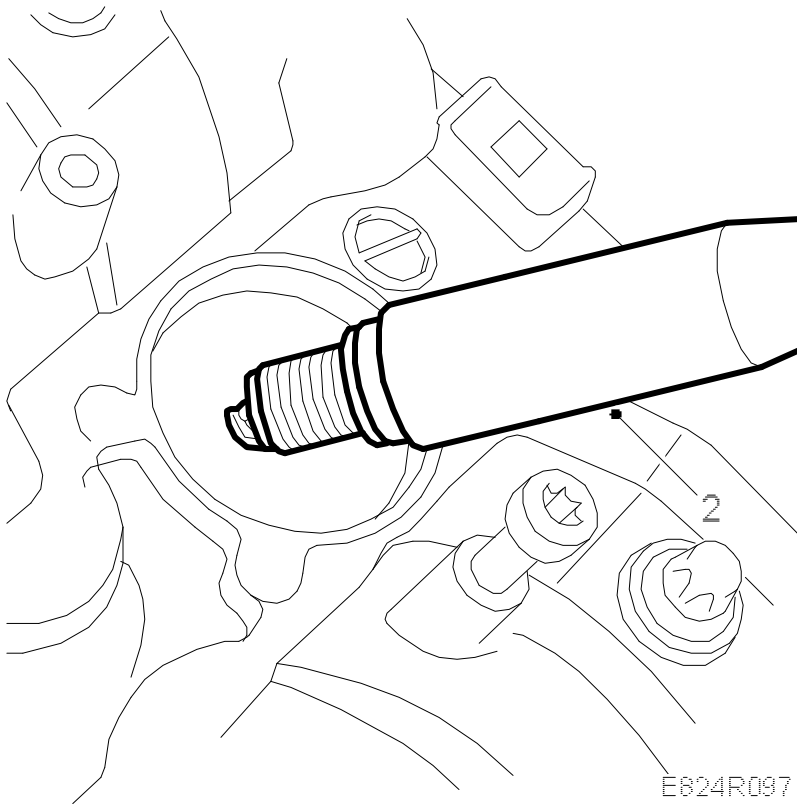


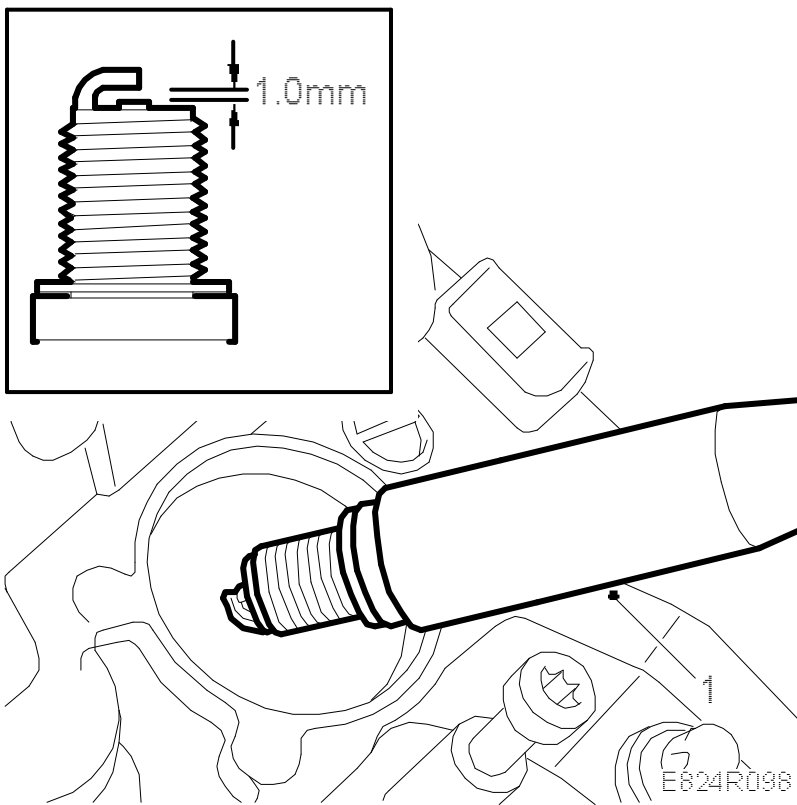
**Spark plugs****To remove**

1. Remove the ignition discharge module in question as instructed. Front, see →. Rear, see →.



2. Remove the spark plugs.

**To fit**



1. Fit the spark plugs. Make sure the electrode gap is 1.0-1.1 mm.

Fit in reverse order.

Apply Molykote 1000 (part no. 30 20 971) or equivalent to the spark plug threads.

### **Tightening torques**

**Spark plug 27 Nm (20 lbf ft)**

**Ignition discharge module 8 Nm (6 lbf ft)**