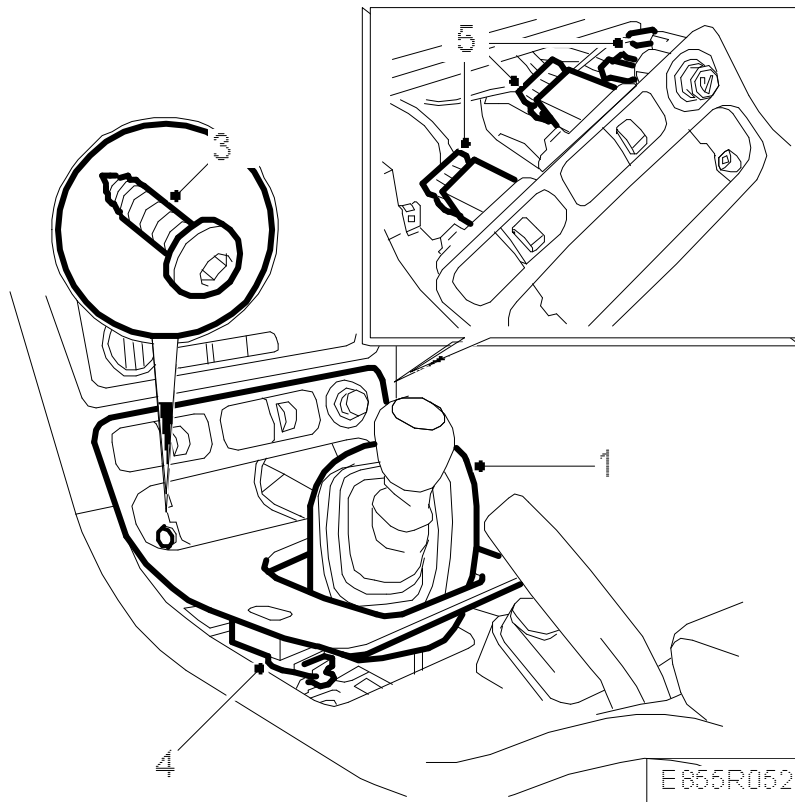


## Centre console

### To remove



#### 1. Manual gearbox:

Lift up the gear lever gaiter.

#### Automatic transmission:

Remove the edging using [82 93 474 Removal tool](#).

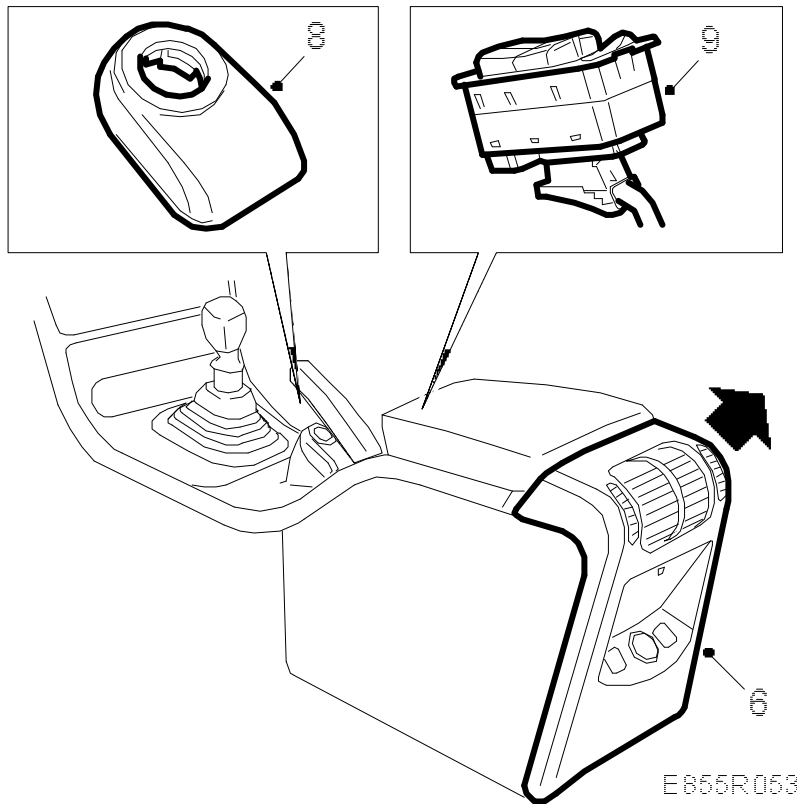
2. Remove the compartment or ashtray with holder using a screwdriver and [82 93 474 Removal tool](#). See [Ashtray](#).
3. Remove the gear lever cover, 2 screws.
4. Unplug the connector for the central locking system switch.
5. Lift up the gear lever gaiter and undo the connectors for the seat heating, seat ventilation and cigarette lighter switches.

---

### Important

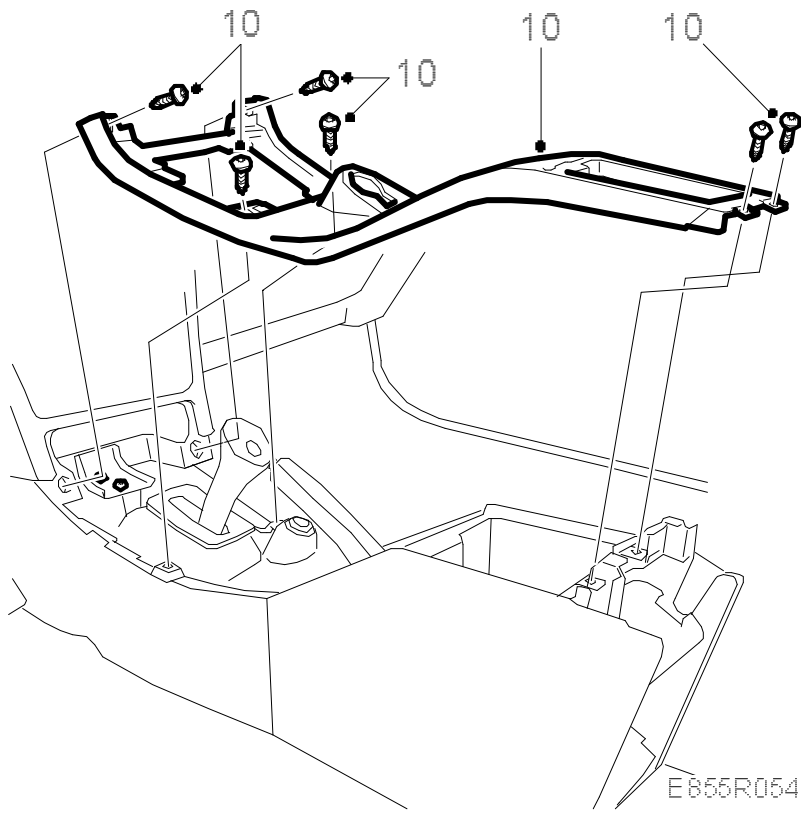
Mark the connectors to avoid incorrect reconnection.

6. Remove the rear section of the centre console by removing the screw on the top. Then lift straight up and unplug the connector.



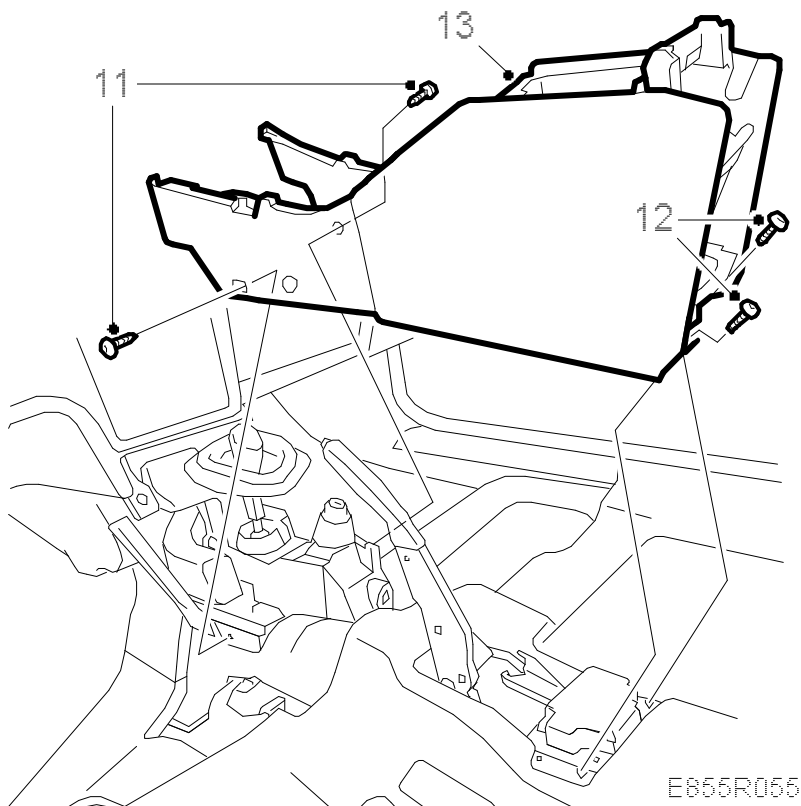
7. Select reverse (manual) or P (automatic) and remove the key.
8. Rotate and lift up the theft protection antenna unit (bayonet fitting) from the ignition switch and unplug the connector.  
Insert the key and select neutral.
9. Disconnect the switch for the electric window lifts and unplug the connectors.
- 10.

Remove the screws holding the upper part of the centre console, 6 screws.



Lift out the upper part of the centre console.

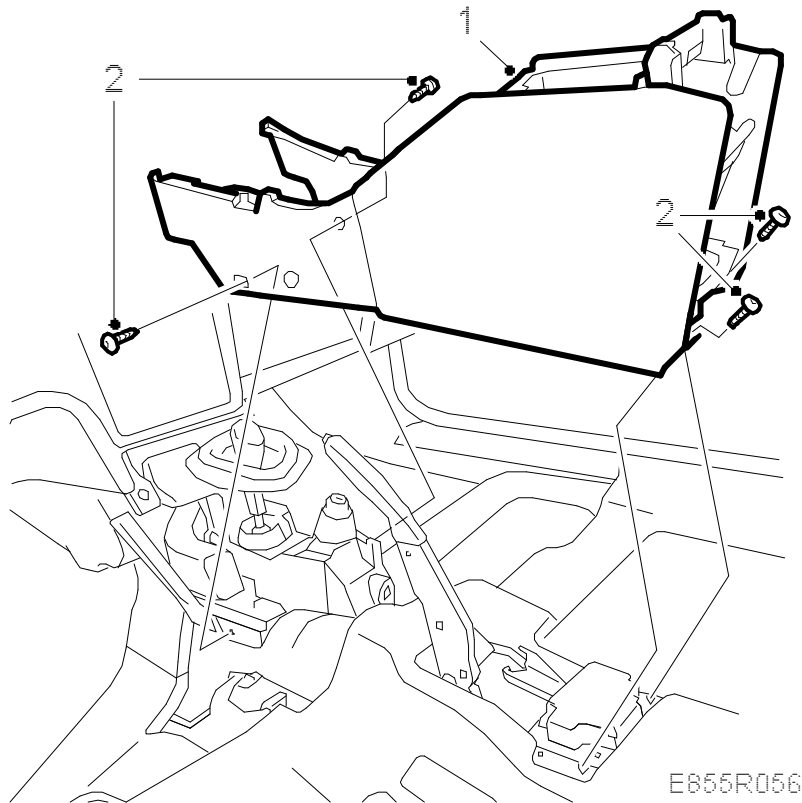
11. Fold back the carpets and remove the front screws, 2 pcs.



12. Remove the rear screws, 2 pcs.

13. Lift and remove the centre console.

### To fit



1. Lift the centre console into place.

---

### Important

Make sure no cables or connectors are pinched.

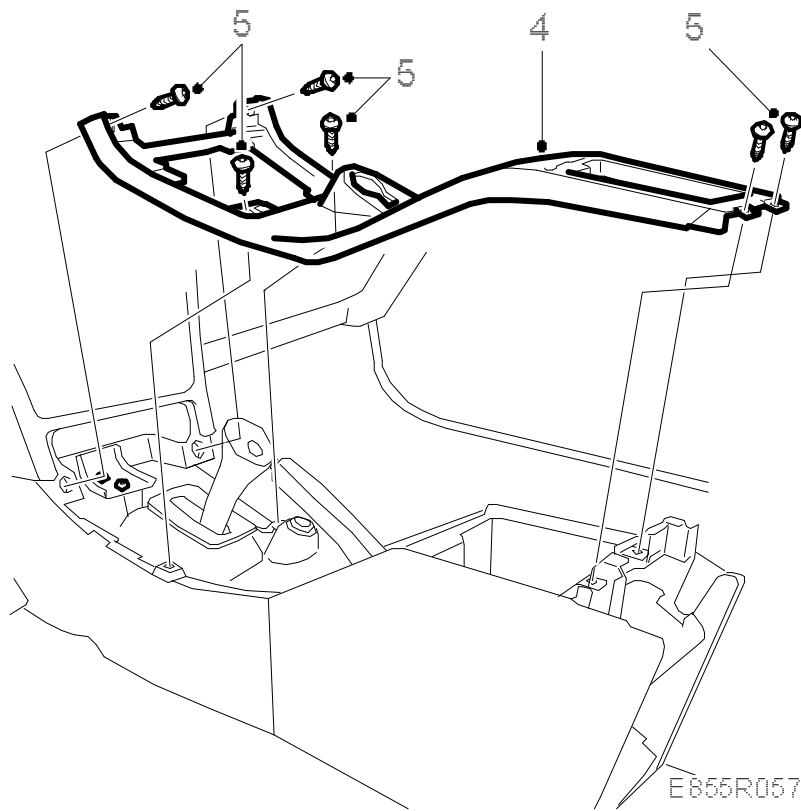
---

2. Screw on the centre console front and back, 4 screws. Start with the one at the front left, which is used as a guide.

3. Refit the carpets.

4.

Lift the upper part of the centre console backwards. At the same time, carefully guide the wires into place.



Be careful with the lead for the theft protection system.

---

**Important**

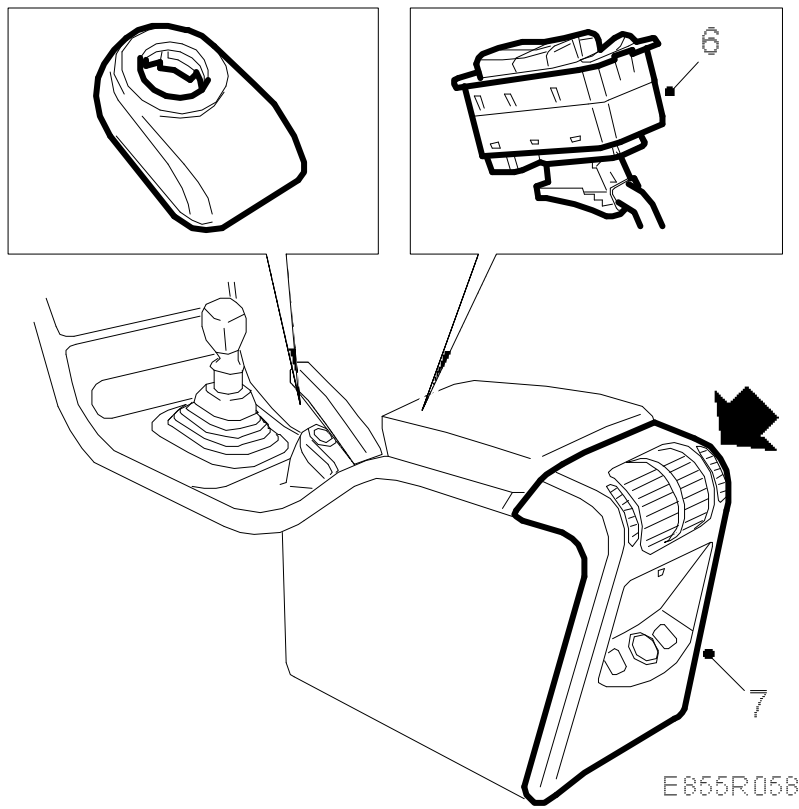
**For manual gearbox:**

Check that the gear lever gaiter is not trapped.

---

5. Screw the upper part of the centre console in place, 6 screws.
- 6.

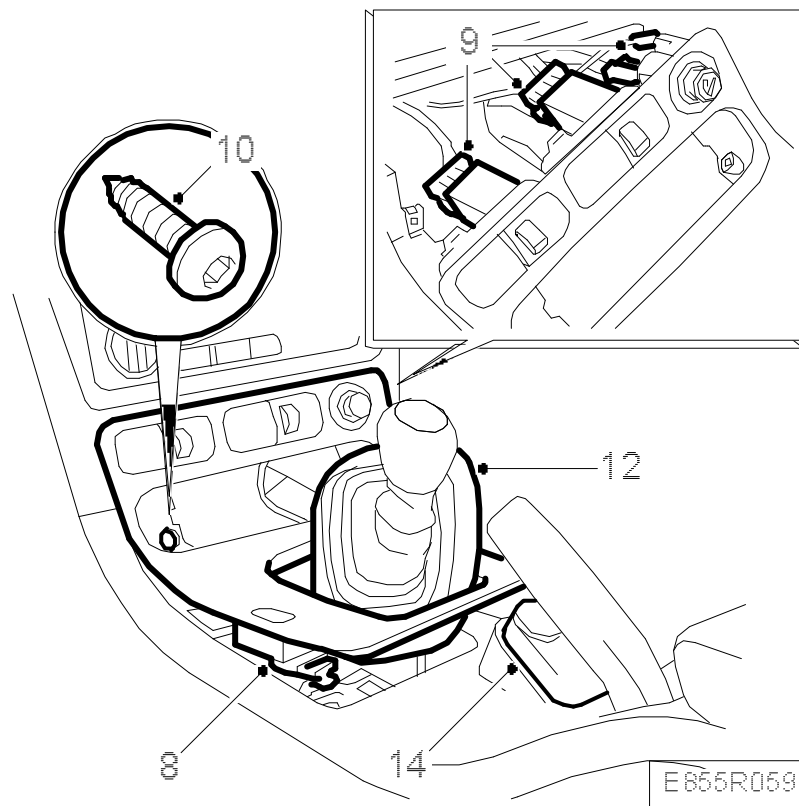
Refit the switch for the electric window lifts and clip the handbrake gaiter back into place.



7. Plug in the connectors in the rear section of the centre console and fit the rear section. Fit the upper screw.

8.

Reconnect the central locking system connector.



9. Plug in the connector for the seat heating, seat ventilation and cigarette lighter switches.

---

### **Important**

Make sure the connectors are plugged into the correct switches.

---

10. Refit the gear lever cover, 2 clips at the back and 2 screws at the front.
11. Refit the compartment or ashtray with holder.
12. **Manual gearbox:**  
Refit gear lever gaiter.
- Automatic gearbox:**  
Fit the rim around the gear lever housing.
13. Select reverse (manual) or P (automatic) and remove the key.
14. Plug in the connector for the theft-protection antenna unit and fit it (bayonet fitting).